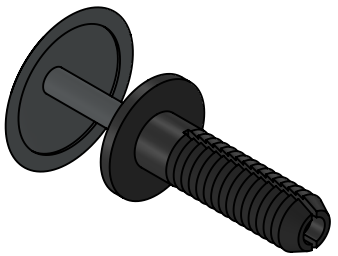
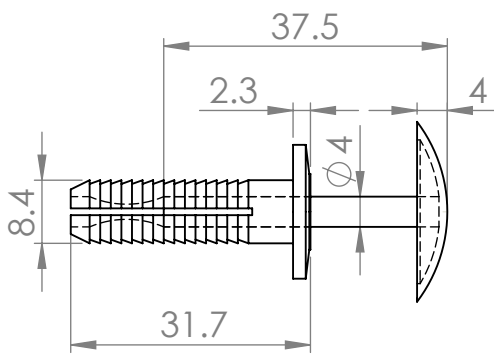
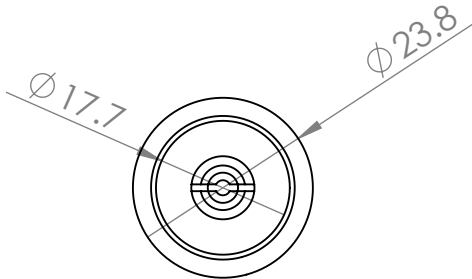
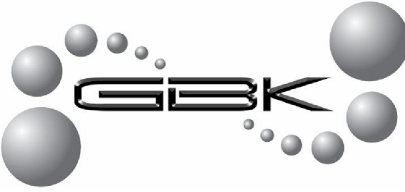


NOTES:
COMPONENT IS ROHS COMPLIANT



Part	Colour	Notes
FIX0348	Window Grey	RAL 7040
FIX0356	Black Grey	RAL 7021
FIX0361	Yellow Grey	RAL 7034

1	17/04/2019	BK	SALES DRAWING
ISSUE	DATE	SIG	REMARKS



email: info@gbk-uk.com
web: www.gbk-uk.com

TOLERANCES UNLESS OTHERWISE STATED

X	0.50
X.X	0.25
X.XX	0.10
X.XXX	0.05
ANGLES	0.25

ALL DIMENSIONS IN MM

THIRD ANGLE PROJECTION



DO NOT SCALE DRAWING
IF IN DOUBT PLEASE ASK

MATERIAL	PA6
COLOUR	SEE TABLE
SCALE	1:1 UNLESS SPECIFIED
DRAWN	BK
DATE	17/04/2019
SHEET	1 OF 1

© GBK UK Limited

THESE DRAWINGS AND THE SPECIFICATIONS, AND THE DATA CONTAINED THEREIN ARE THE PROPERTY OF GBK UK LIMITED, ISSUED IN STRICT CONFIDENCE AND SHALL NOT WITHOUT PRIOR WRITTEN PERMISSION OF GBK UK LIMITED BE PRODUCED, COPIED OR USED FOR ANY PURPOSE WHATSOEVER, EXCEPT THE MANUFACTURE OR ARTICLES FOR GBK UK LIMITED

DESCRIPTION	DRAWING No.
UNIVERSAL TRIM FASTENER	FIX0348 FIX0356 FIX0361