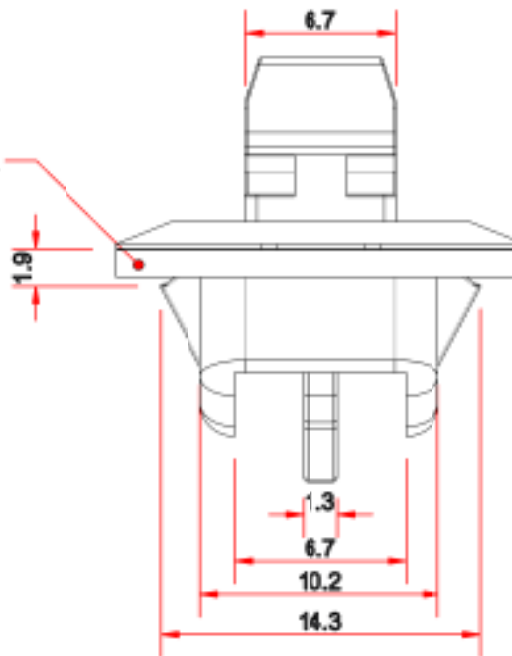


WASHER



**NOTES:**

All dimensions are in mm unless otherwise stated

ISSUE	DATE	SIG	REMARKS
1	05/02/13	MIC	FIRST ISSUE



email: [info@gbk-uk.com](mailto:info@gbk-uk.com)  
web: [www.gbk-uk.com](http://www.gbk-uk.com)

**TOLERANCES**

X	0.50
X.X	0.25
X.XX	0.10
ANGLES	0.25°
UNLESS OTHERWISE STATED	

ALL DIMENSIONS IN mm

THIRD ANGLE PROJECTION



DO NOT SCALE FROM DRAWING,  
IF IN DOUBT PLEASE ASK!

<b>MATERIAL</b>	POM/NBR
<b>COLOUR</b>	GREY
<b>SCALE</b>	3:1 @ A4
<b>DRAWN</b>	BK
<b>DATE</b>	05.02.13
<b>SHEET</b>	1 OF 1

© GBK UK Limited  
THESE DRAWINGS AND THE SPECIFICATIONS, AND THE DATA CONTAINED THEREIN ARE THE PROPERTY OF GBK UK LIMITED, ISSUED IN STRICT CONFIDENCE AND SHALL NOT WITHOUT PRIOR WRITTEN PERMISSION OF GBK UK LIMITED BE PRODUCED, COPIED OR USED FOR ANY PURPOSE WHATSOEVER, EXCEPT THE MANUFACTURE OR ARTICLES FOR GBK UK LIMITED.

<b>DESCRIPTION</b>	<b>DRAWING No.</b>
PANEL CONNECTOR WITH WASHER	47135