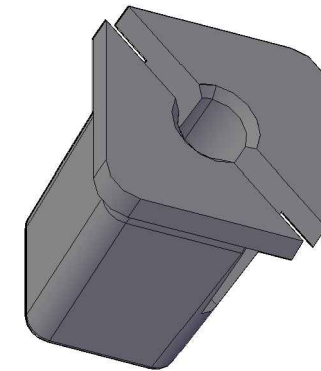


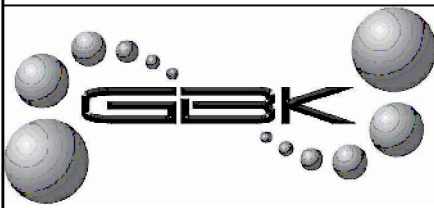
**NOTES:**

- 1 HOLE SIZE: 6.8 - 7.0 SQ
- 2 PANEL RANGE: 0.8 - 2.0
- 3 TO SUIT SCREW SIZE No.8 - 10



PERMISSABLE ALTERNATIVE DESIGN AS SHOWN

2	03/02/12	MC	TECH FAST TO GBK TITLE SHEET & PART NO. CHANGED FROM TF0405131
1	21/03/06	MC	DRAFT ISSUE
ISSUE	DATE	SIG	REMARKS



email: info@gbk-uk.com  
web: www.gbk-uk.com

**TOLERANCES**

X 0.50  
X.X 0.25  
X.XX 0.10  
ANGLES 0.25°  
UNLESS OTHERWISE STATED

ALL DIMENSIONS IN mm

THIRD ANGLE PROJECTION



DO NOT SCALE FROM DRAWING,  
IF IN DOUBT PLEASE ASK!

<b>MATERIAL</b>	POM
<b>COLOUR</b>	NATURAL
<b>SCALE</b>	4:1 @ A4
<b>DRAWN</b>	MIC
<b>DATE</b>	03/02/12
<b>SHEET</b>	1 OF 1

© GBK UK Limited  
THESE DRAWINGS AND THE SPECIFICATIONS, AND THE DATA CONTAINED THEREIN ARE THE PROPERTY OF GBK UK LIMITED, ISSUED IN STRICT CONFIDENCE AND SHALL NOT WITHOUT PRIOR WRITTEN PERMISSION OF GBK UK LIMITED BE PRODUCED, COPIED OR USED FOR ANY PURPOSE WHATSOEVER, EXCEPT THE MANUFACTURE OR ARTICLES FOR GBK UK LIMITED.

<b>DESCRIPTION</b>	<b>DRAWING No.</b>
REVERSE LOKUT NUT	47069