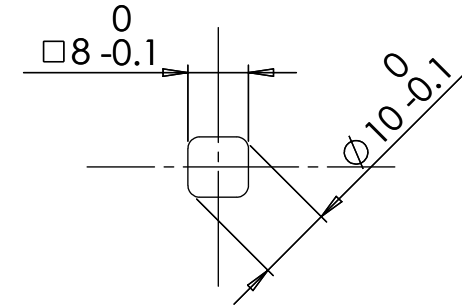


NOTES:

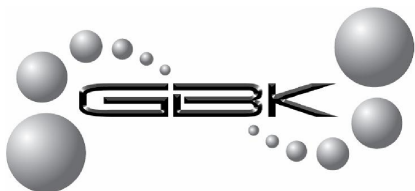
COMPONENT IS ROHS COMPLIANT

RECOMMENDED SHAFT DIMENSIONS



RATED TORQUE	1.0±0.2Nm (10±2kgf.cm)
DAMPNG DIRECTION	BOTH DIRECTIONS
MAX. ROTATION SPEED	50 RPM
MAX. CYCLE RATE	12 CYCLE/MIN
OPERATING TEMPERATURE	-10~50°C
WEIGHT	50g

1	30/09/15	BK	SALES DRAWING
ISSUE	DATE	SIG	REMARKS



email: info@gbk-uk.com
web: www.gbk-uk.com

TOLERANCES UNLESS OTHERWISE STATED

X	0.50
X.X	0.25
X.XX	0.10
X.XXX	0.05
ANGLES	0.25

ALL DIMENSIONS IN MM

THIRD ANGLE PROJECTION



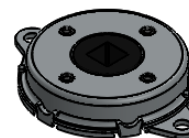
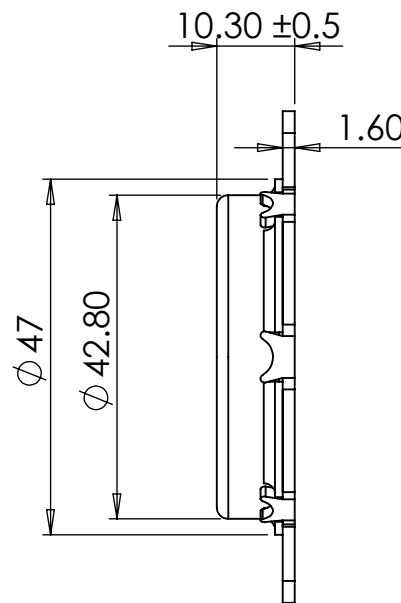
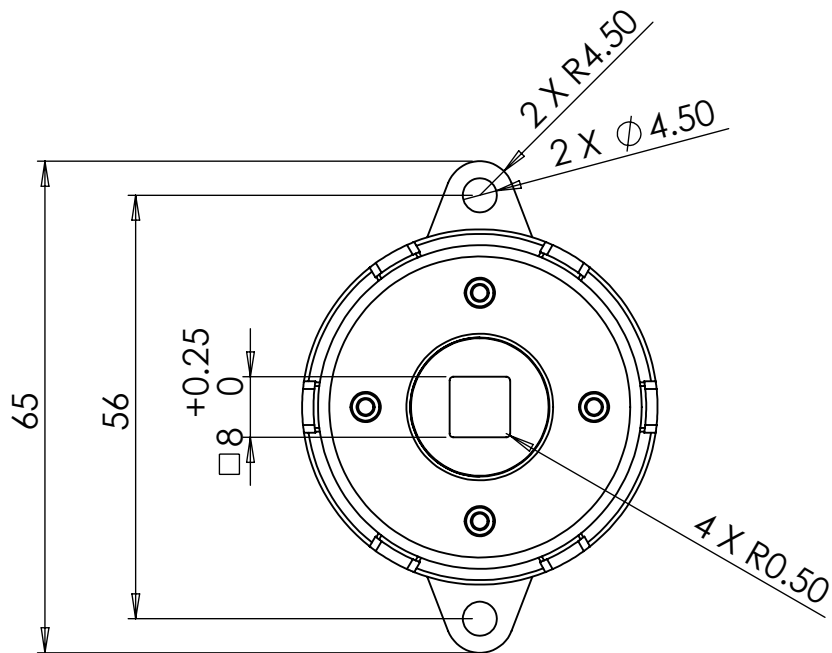
DO NOT SCALE DRAWING
IF IN DOUBT PLEASE ASK

MATERIAL	STEEL GLASS FILLED NYLON SILICONE
COLOUR	SELF COLOUR
SCALE	1:1 UNLESS SPECIFIED
DRAWN	BK
DATE	30.09.2015
SHEET	1 OF 1

© GBK UK Limited

THESE DRAWINGS AND THE SPECIFICATIONS, AND THE DATA CONTAINED THEREIN ARE THE PROPERTY OF GBK UK LIMITED, ISSUED IN STRICT CONFIDENCE AND SHALL NOT WITHOUT PRIOR WRITTEN PERMISSION OF GBK UK LIMITED BE PRODUCED, COPIED OR USED FOR ANY PURPOSE WHATSOEVER, EXCEPT THE MANUFACTURE OR ARTICLES FOR GBK UK LIMITED

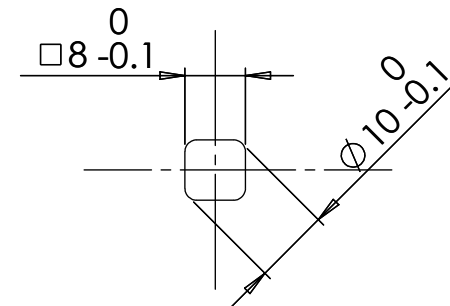
DESCRIPTION	DRAWING No.
HI TORQUE ROTARY DAMPER - BOTH DIRECTIONS	43012-BD-10



NOTES:

COMPONENT IS ROHS COMPLIANT

RECOMMENDED SHAFT DIMENSIONS



RATED TORQUE	1.6±0.3Nm (16±3kgf.cm)
DAMPNG DIRECTION	BOTH DIRECTIONS
MAX. ROTATION SPEED	50 RPM
MAX. CYCLE RATE	12 CYCLE/MIN
OPERATING TEMPERATURE	-10~50°C
WEIGHT	50g

1	30/09/15	BK	SALES DRAWING
ISSUE	DATE	SIG	REMARKS



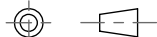
email: info@gbk-uk.com
web: www.gbk-uk.com

TOLERANCES UNLESS OTHERWISE STATED

X	0.50
X.X	0.25
X.XX	0.10
X.XXX	0.05
ANGLES	0.25

ALL DIMENSIONS IN MM

THIRD ANGLE PROJECTION



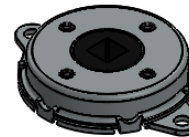
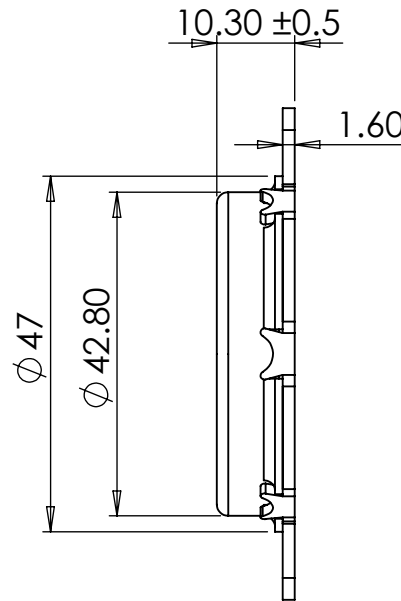
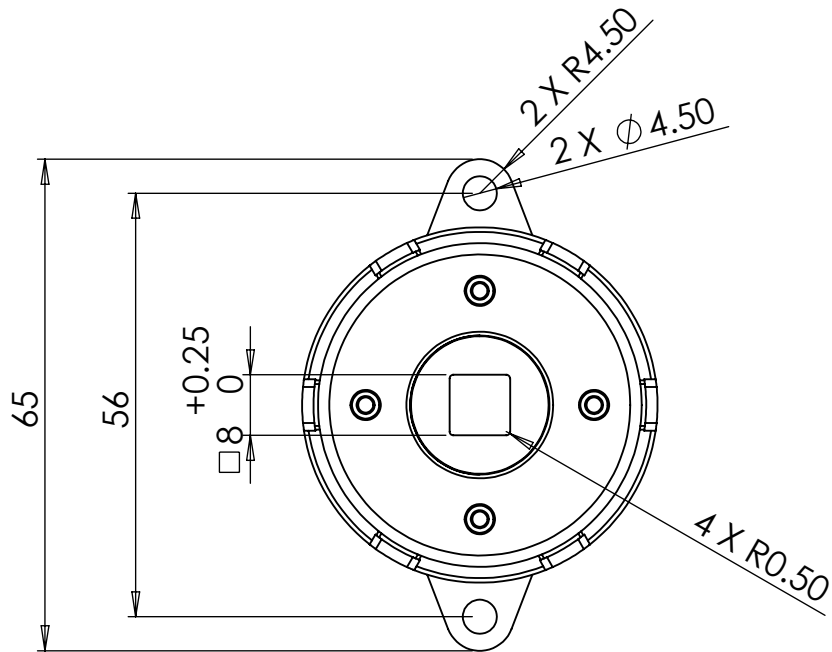
DO NOT SCALE DRAWING
IF IN DOUBT PLEASE ASK

MATERIAL	STEEL GLASS FILLED NYLON SILICONE
COLOUR	SELF COLOUR
SCALE	1:1 UNLESS SPECIFIED
DRAWN	BK
DATE	30.09.2015
SHEET	1 OF 1

© GBK UK Limited

THESE DRAWINGS AND THE SPECIFICATIONS, AND THE DATA CONTAINED THEREIN ARE THE PROPERTY OF GBK UK LIMITED, ISSUED IN STRICT CONFIDENCE AND SHALL NOT WITHOUT PRIOR WRITTEN PERMISSION OF GBK UK LIMITED BE PRODUCED, COPIED OR USED FOR ANY PURPOSE WHATSOEVER, EXCEPT THE MANUFACTURE OR ARTICLES FOR GBK UK LIMITED

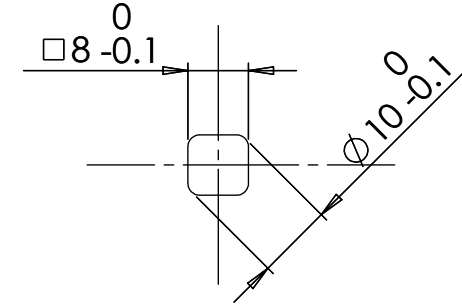
DESCRIPTION	DRAWING No.
HI TORQUE ROTARY DAMPER - BOTH DIRECTIONS	43012-BD-16



NOTES:

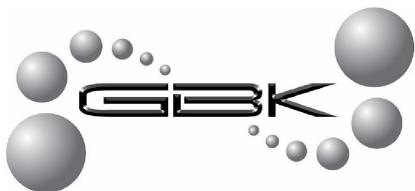
COMPONENT IS ROHS COMPLIANT

RECOMMENDED SHAFT DIMENSIONS



RATED TORQUE	2.0±0.3Nm (20±3kgf.cm)
DAMPNG DIRECTION	BOTH DIRECTIONS
MAX. ROTATION SPEED	50 RPM
MAX. CYCLE RATE	12 CYCLE/MIN
OPERATING TEMPERATURE	-10~50°C
WEIGHT	50g

1	30/09/15	BK	SALES DRAWING
ISSUE	DATE	SIG	REMARKS



email: info@gbk-uk.com
web: www.gbk-uk.com

TOLERANCES UNLESS OTHERWISE STATED

X	0.50
X.X	0.25
X.XX	0.10
X.XXX	0.05
ANGLES	0.25

ALL DIMENSIONS IN MM

THIRD ANGLE PROJECTION



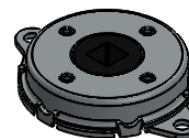
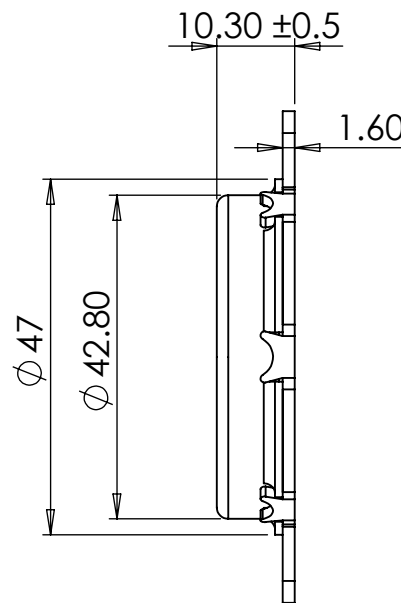
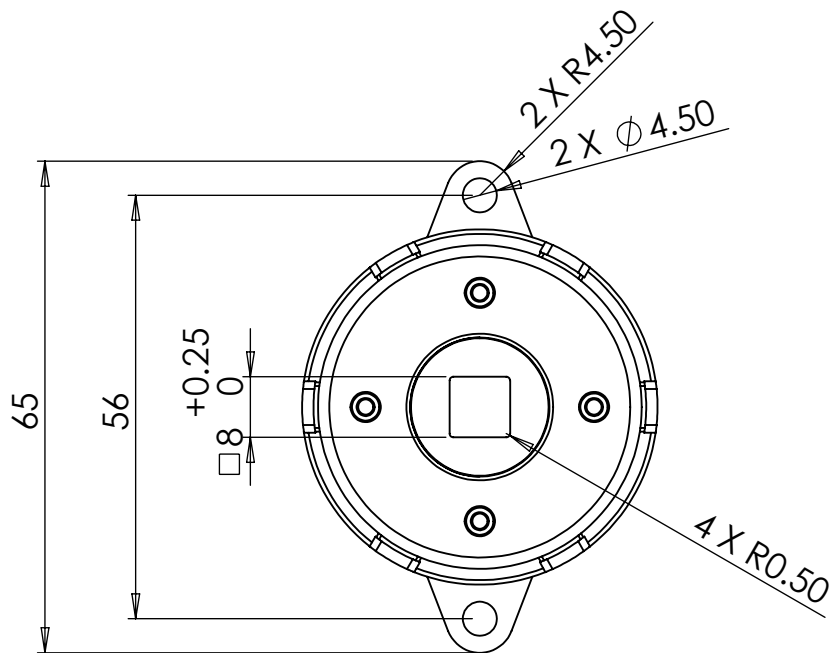
DO NOT SCALE DRAWING
IF IN DOUBT PLEASE ASK

MATERIAL	STEEL GLASS FILLED NYLON SILICONE
COLOUR	SELF COLOUR
SCALE	1:1 UNLESS SPECIFIED
DRAWN	BK
DATE	30.09.2015
SHEET	1 OF 1

© GBK UK Limited

THESE DRAWINGS AND THE SPECIFICATIONS, AND THE DATA CONTAINED THEREIN ARE THE PROPERTY OF GBK UK LIMITED, ISSUED IN STRICT CONFIDENCE AND SHALL NOT WITHOUT PRIOR WRITTEN PERMISSION OF GBK UK LIMITED BE PRODUCED, COPIED OR USED FOR ANY PURPOSE WHATSOEVER, EXCEPT THE MANUFACTURE OR ARTICLES FOR GBK UK LIMITED

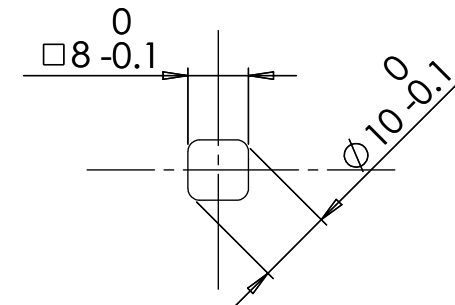
DESCRIPTION	DRAWING No.
HI TORQUE ROTARY DAMPER - BOTH DIRECTIONS	43012-BD-20



NOTES:

COMPONENT IS ROHS COMPLIANT

RECOMMENDED SHAFT DIMENSIONS



RATED TORQUE	2.5±0.3Nm (25±3kgf.cm)
DAMPNG DIRECTION	BOTH DIRECTIONS
MAX. ROTATION SPEED	50 RPM
MAX. CYCLE RATE	12 CYCLE/MIN
OPERATING TEMPERATURE	-10~50°C
WEIGHT	50g

1	30/09/15	BK	SALES DRAWING
ISSUE	DATE	SIG	REMARKS



email: info@gbk-uk.com
web: www.gbk-uk.com

TOLERANCES UNLESS OTHERWISE STATED

X	0.50
X.X	0.25
X.XX	0.10
X.XXX	0.05
ANGLES	0.25

ALL DIMENSIONS IN MM

THIRD ANGLE PROJECTION



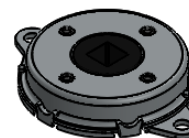
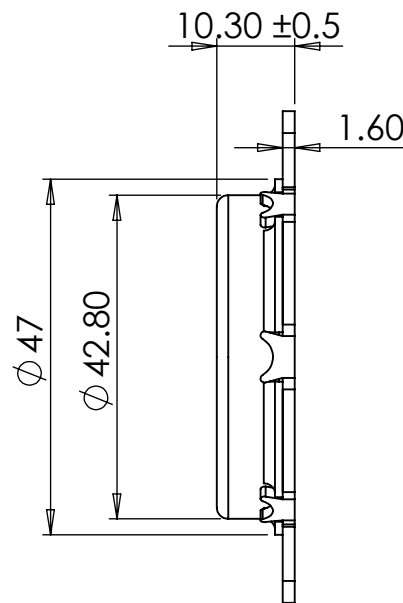
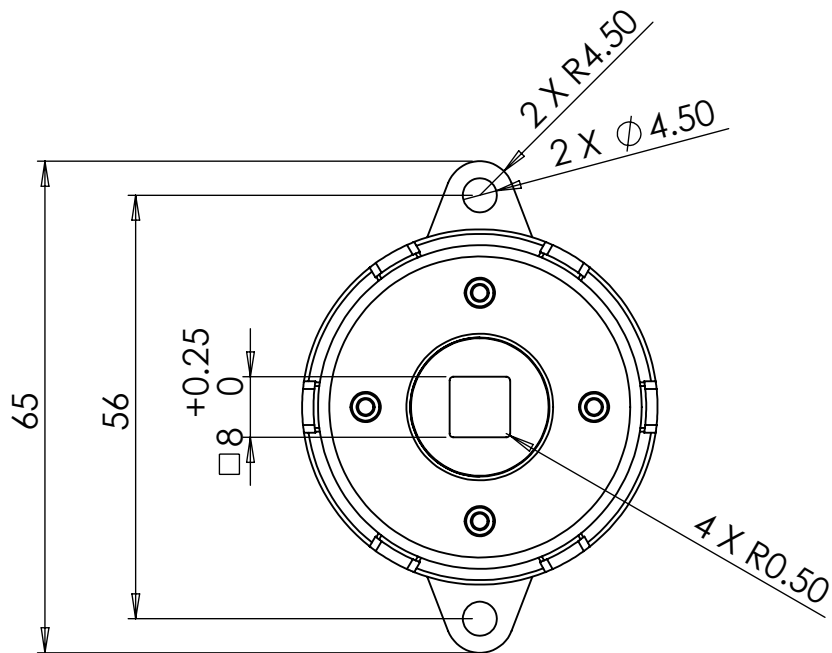
DO NOT SCALE DRAWING
IF IN DOUBT PLEASE ASK

MATERIAL	STEEL GLASS FILLED NYLON SILICONE
COLOUR	SELF COLOUR
SCALE	1:1 UNLESS SPECIFIED
DRAWN	BK
DATE	30.09.2015
SHEET	1 OF 1

© GBK UK Limited

THESE DRAWINGS AND THE SPECIFICATIONS, AND THE DATA CONTAINED THEREIN ARE THE PROPERTY OF GBK UK LIMITED, ISSUED IN STRICT CONFIDENCE AND SHALL NOT WITHOUT PRIOR WRITTEN PERMISSION OF GBK UK LIMITED BE PRODUCED, COPIED OR USED FOR ANY PURPOSE WHATSOEVER, EXCEPT THE MANUFACTURE OR ARTICLES FOR GBK UK LIMITED

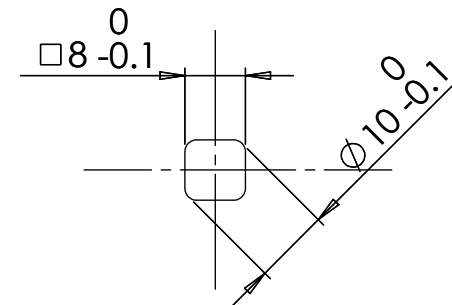
DESCRIPTION	DRAWING No.
HI TORQUE ROTARY DAMPER - BOTH DIRECTIONS	43012-BD-25



NOTES:

COMPONENT IS ROHS COMPLIANT

RECOMMENDED SHAFT DIMENSIONS



RATED TORQUE	3.0±0.3Nm (30±3kgf.cm)
DAMPNG DIRECTION	BOTH DIRECTIONS
MAX. ROTATION SPEED	50 RPM
MAX. CYCLE RATE	12 CYCLE/MIN
OPERATING TEMPERATURE	-10~50°C
WEIGHT	50g

1	30/09/15	BK	SALES DRAWING
ISSUE	DATE	SIG	REMARKS



email: info@gbk-uk.com
web: www.gbk-uk.com

TOLERANCES UNLESS OTHERWISE STATED

X	0.50
X.X	0.25
X.XX	0.10
X.XXX	0.05
ANGLES	0.25

ALL DIMENSIONS IN MM

THIRD ANGLE PROJECTION



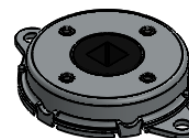
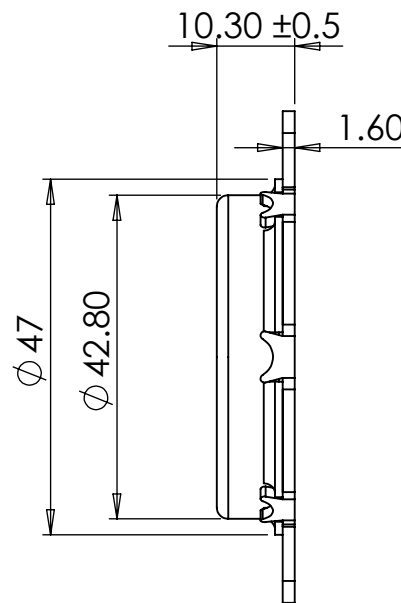
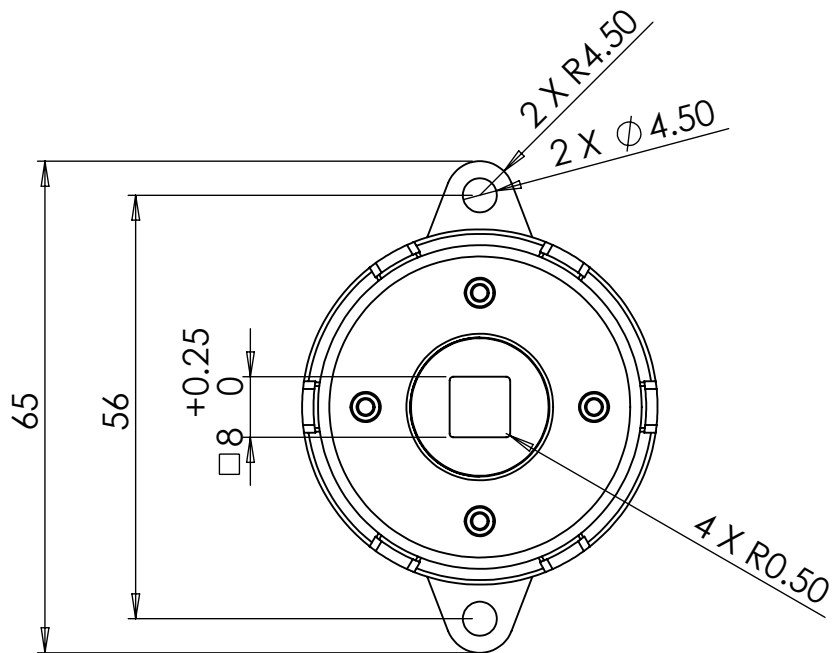
DO NOT SCALE DRAWING
IF IN DOUBT PLEASE ASK

MATERIAL	STEEL GLASS FILLED NYLON SILICONE
COLOUR	SELF COLOUR
SCALE	1:1 UNLESS SPECIFIED
DRAWN	BK
DATE	30.09.2015
SHEET	1 OF 1

© GBK UK Limited

THESE DRAWINGS AND THE SPECIFICATIONS, AND THE DATA CONTAINED THEREIN ARE THE PROPERTY OF GBK UK LIMITED, ISSUED IN STRICT CONFIDENCE AND SHALL NOT WITHOUT PRIOR WRITTEN PERMISSION OF GBK UK LIMITED BE PRODUCED, COPIED OR USED FOR ANY PURPOSE WHATSOEVER, EXCEPT THE MANUFACTURE OR ARTICLES FOR GBK UK LIMITED

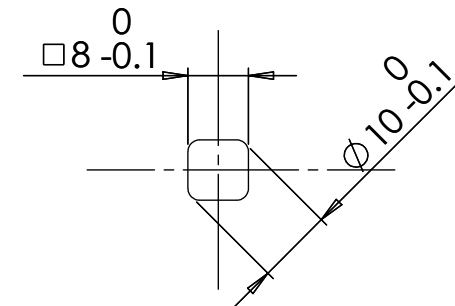
DESCRIPTION	DRAWING No.
HI TORQUE ROTARY DAMPER - BOTH DIRECTIONS	43012-BD-30



NOTES:

COMPONENT IS ROHS COMPLIANT

RECOMMENDED SHAFT DIMENSIONS



RATED TORQUE	4.0±0.4Nm (40±4kgf.cm)
DAMPNG DIRECTION	BOTH DIRECTIONS
MAX. ROTATION SPEED	50 RPM
MAX. CYCLE RATE	12 CYCLE/MIN
OPERATING TEMPERATURE	-10~50°C
WEIGHT	50g

1	30/09/15	BK	SALES DRAWING
ISSUE	DATE	SIG	REMARKS



email: info@gbk-uk.com
web: www.gbk-uk.com

TOLERANCES UNLESS OTHERWISE STATED

X	0.50
X.X	0.25
X.XX	0.10
X.XXX	0.05
ANGLES	0.25

ALL DIMENSIONS IN MM

THIRD ANGLE PROJECTION



DO NOT SCALE DRAWING
IF IN DOUBT PLEASE ASK

MATERIAL	STEEL GLASS FILLED NYLON SILICONE
COLOUR	SELF COLOUR
SCALE	1:1 UNLESS SPECIFIED
DRAWN	BK
DATE	30.09.2015
SHEET	1 OF 1

© GBK UK Limited

THESE DRAWINGS AND THE SPECIFICATIONS, AND THE DATA CONTAINED THEREIN ARE THE PROPERTY OF GBK UK LIMITED, ISSUED IN STRICT CONFIDENCE AND SHALL NOT WITHOUT PRIOR WRITTEN PERMISSION OF GBK UK LIMITED BE PRODUCED, COPIED OR USED FOR ANY PURPOSE WHATSOEVER, EXCEPT THE MANUFACTURE OR ARTICLES FOR GBK UK LIMITED

DESCRIPTION	DRAWING No.
HI TORQUE ROTARY DAMPER - BOTH DIRECTIONS	43012-BD-40