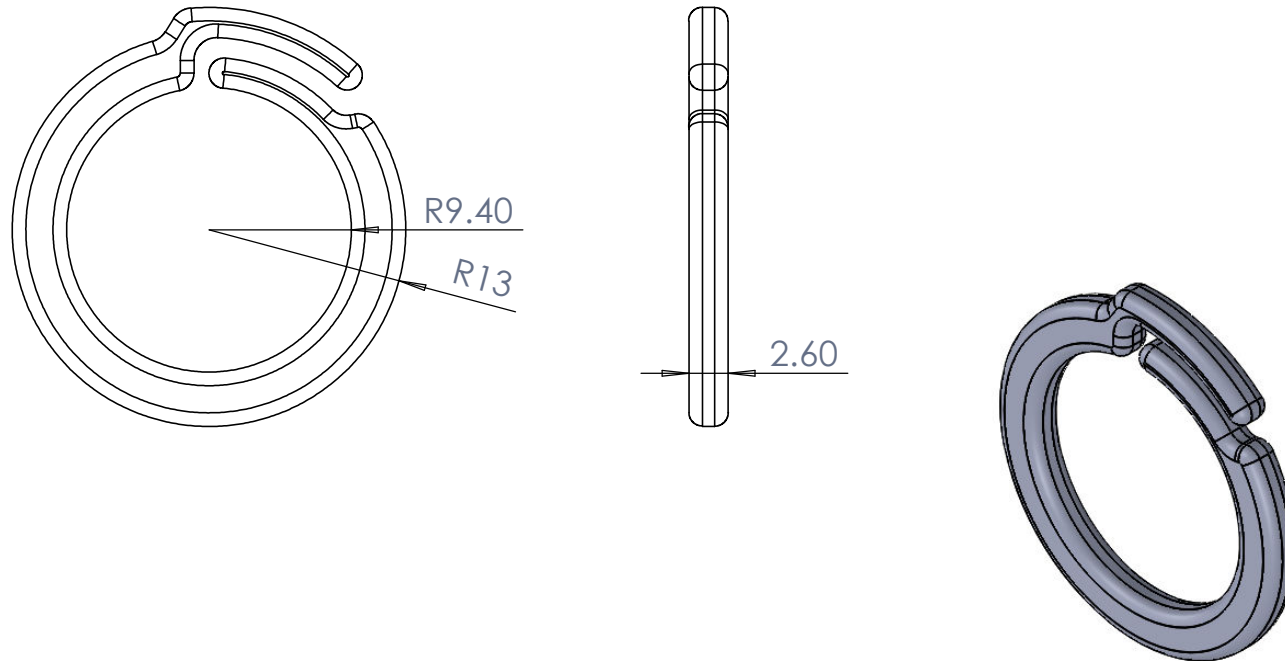


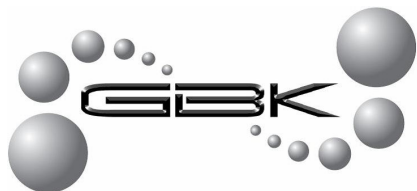
NOTES:

COMPONENT IS ROHS COMPLIANT



PART No.	MATERIAL	colour	I/D	HEAD ϕ
40031	PS	WHITE	19	25
40031 - CLR	PC	CLEAR	19	25

1	05/08/13	BK	SALES DRAWING
ISSUE	DATE	SIG	REMARKS



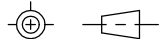
email: info@gbk-uk.com
web: www.gbk-uk.com

TOLERANCES UNLESS OTHERWISE STATED

X	0.50
X.X	0.25
X.XX	0.10
X.XXX	0.05
ANGLES	0.25

ALL DIMENSIONS IN MM

THIRD ANGLE PROJECTION



DO NOT SCALE DRAWING
IF IN DOUBT PLEASE ASK

MATERIAL	SEE TABLE
COLOUR	SEE TABLE
SCALE	2:1 UNLESS SPECIFIED
DRAWN	BK
DATE	05.08.13
SHEET	1 OF 1

© GBK UK Limited
THESE DRAWINGS AND THE SPECIFICATIONS, AND THE DATA CONTAINED THEREIN ARE THE PROPERTY OF GBK UK LIMITED. ISSUED IN STRICT CONFIDENCE AND SHALL NOT WITHOUT PRIOR WRITTEN PERMISSION OF GBK UK LIMITED BE PRODUCED, COPIED OR USED FOR ANY PURPOSE WHATSOEVER, EXCEPT THE MANUFACTURE OR ARTICLES FOR GBK UK LIMITED

DESCRIPTION OVERLAP RING	DRAWING No. 40031
------------------------------------	-----------------------------